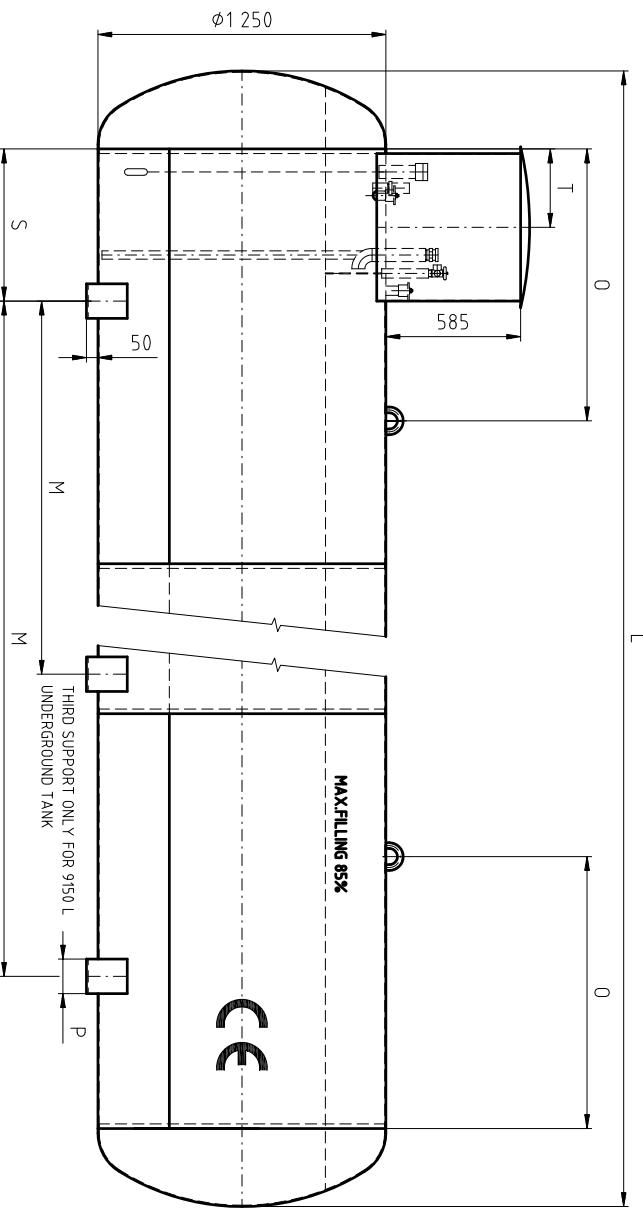
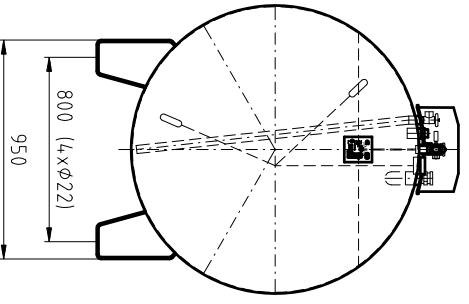
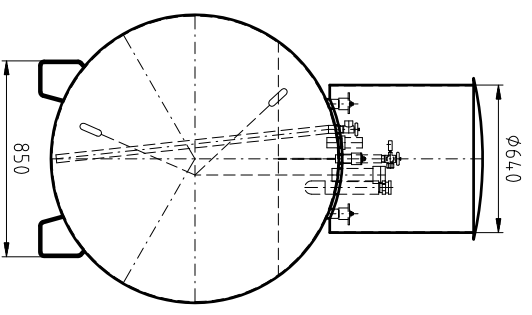


CAPACITY (Ltr.)	WEIGHT (kg)
990	330
1650	420
2700	540
4850	850
6400	1060
9150	1420



CAPACITY (Ltr.)	WEIGHT (kg)
2700	560
4850	870
6400	1080
9150	1500
10000	1620
11300	1790
13450	2080



△	△	CAPACITY (Ltr.)	MANIFOLD	LENGTH L (mm)	M	S	O	P	T
		990	1	1055 as	700			100	233,5
		1650	1	1610 as	700		100	100	460
		2700	1	2500 as	1600		90	890	100
		4850	2	4280 as	2000		790	1250	150
		6400	3	5520 as	3500		660	1060	150
		9150	4	7840 as	2000		910	1620	150
*	*	10000	5	8520 as	2x3000		920	2000	150
*	*	11300	5	9600 as	2x3500		960	2500	150
*	*	13450	6	11380 as	2x4000		1150	3250	150

△ ONLY FOR OVERGROUND TANK
 * ONLY FOR UNDERGROUND TANK

VYCHOVODĚSKÉ PLYNKARENSKÉ
 STROJÍRENÍ a.s.
 ROŠICE U CHRÁSTI

Výrobceval: CHLEBOUN A.
125 09 | Schválil: Ing. SEDLÁK P.

CAD-Název: na-po-01250-2700.4850...dwg
Název akce: CE

Název: OVERGROUND AND UNDERGROUND TANKS Ø1250
Změna/Formát: B 4

VPS 2-4-0214