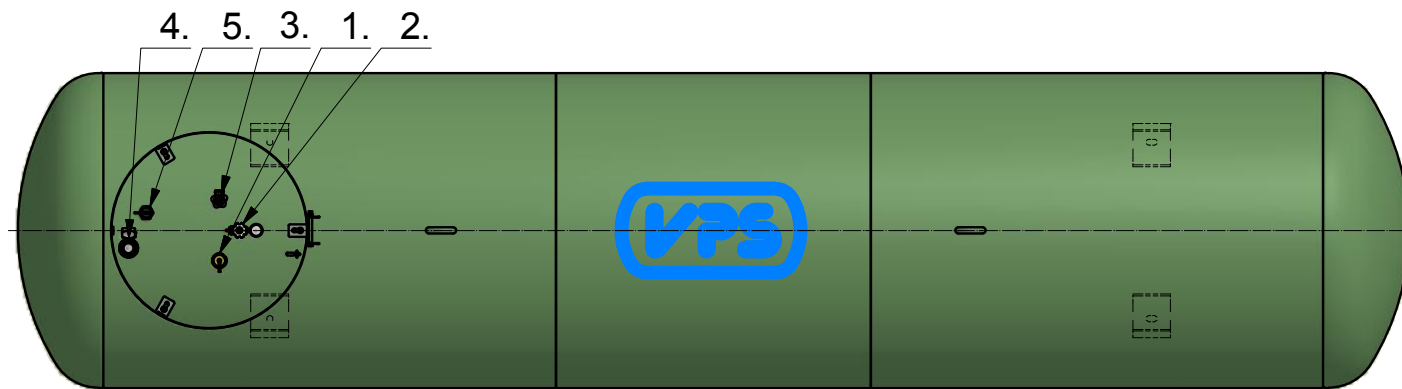
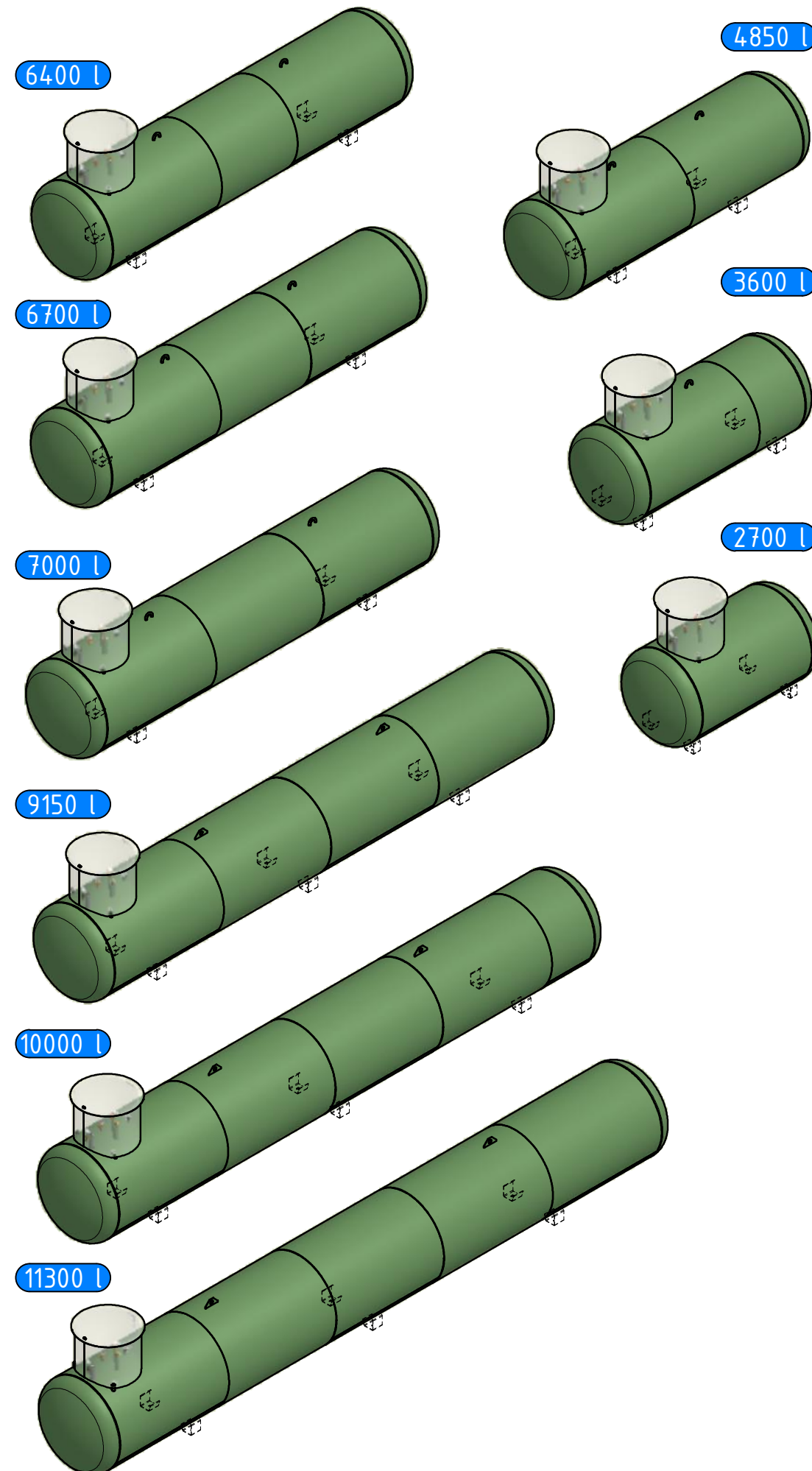


VALVE POSITION



- 1 - Filling Valve
- 2 - Gaseous Phase Valve
- 3 - Liquid Phase valve
- 4 - Level Gauge
- 5 - Safety Valve



CAPACITY (Ltr.)	MANTLE	LENGHT A (mm)	B (mm)	C (mm)	D (mm)	E (mm)	F (mm)	G (mm)	WEIGHT (kg)
2700	1	2500	460	90	1600	890	-	100	560
3600	2	3200	460	150	2200	1250	-	150	700
4850	2	4280	460	790	2000	1050	1450	150	870
6400	3	5520	460 (2260)	660	3500	1340	2100	150	1080
6700	3	5800	460	800	3500	1490	2100	150	1120
7000	3	6040	460	760	3800	1305	2700	150	1160
9150	4	7740	460	970	2x2500	2045	3000	150	1500
10000	5	8520	460	920	2x3000	2200	3400	150	1620
11300	5	9600	460	1450	2x3000	2200	4600	150	1790