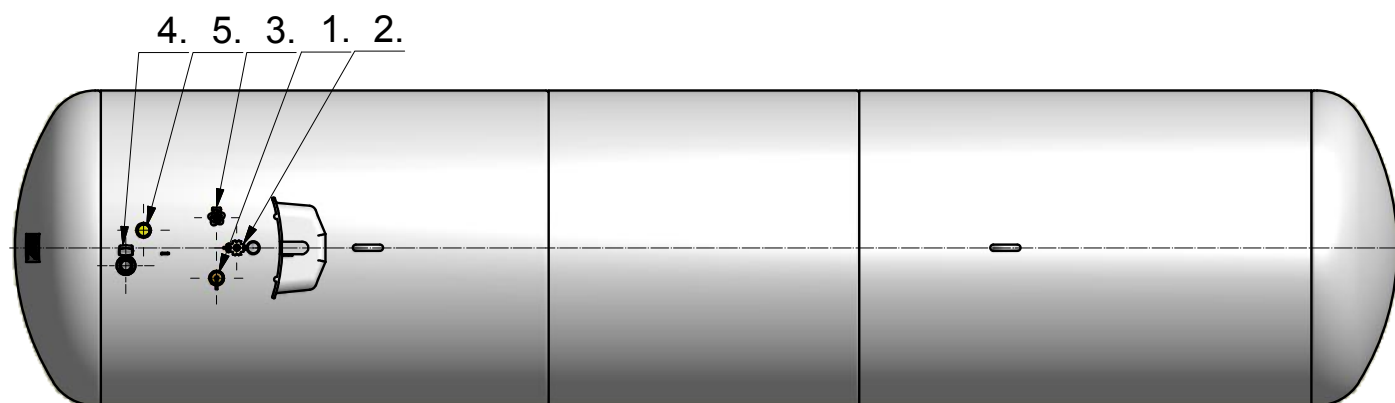
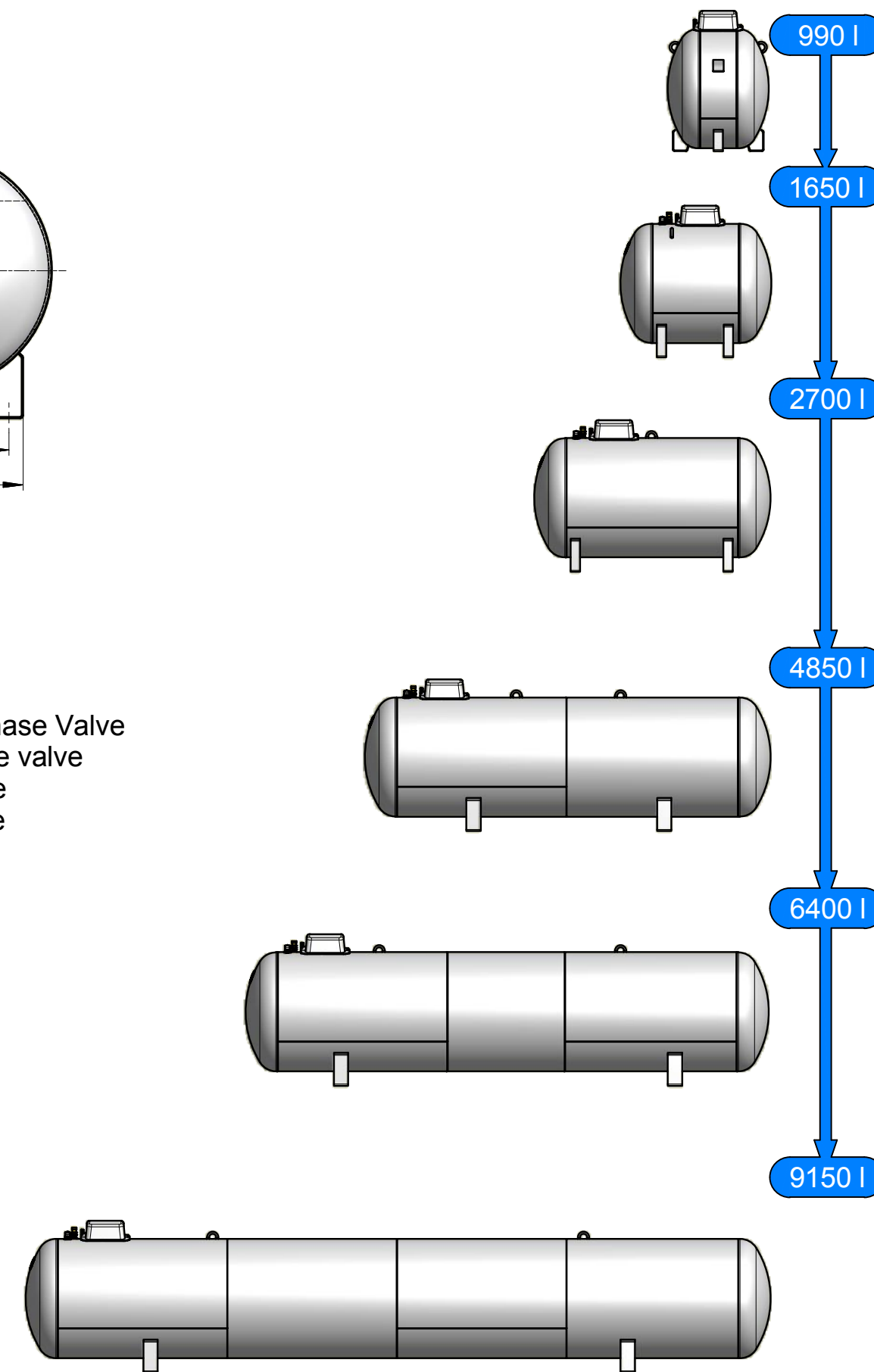


VALVE POSITION



- 1 - Filling Valve
- 2 - Gaseous Phase Valve
- 3 - Liquid Phase valve
- 4 - Level Gauge
- 5 - Safety Valve



CAPACITY (Ltr.)	MANTLE	LENGHT A (mm)	B (mm)	C (mm)	D (mm)	E (mm)	F (mm)	WEIGHT (kg)
990	1	1055	233,5		700		100	270
1650	1	1610	460	100	700	200	100	360
2700	1	2500	460	90	1600	890	100	500
4850	2	4280	460	790	2000	1250	150	790
6400	3	5520	460 (2260)	660	3500	1060	150	990
9150	4	7840	460	970	5000	1620	150	1360